

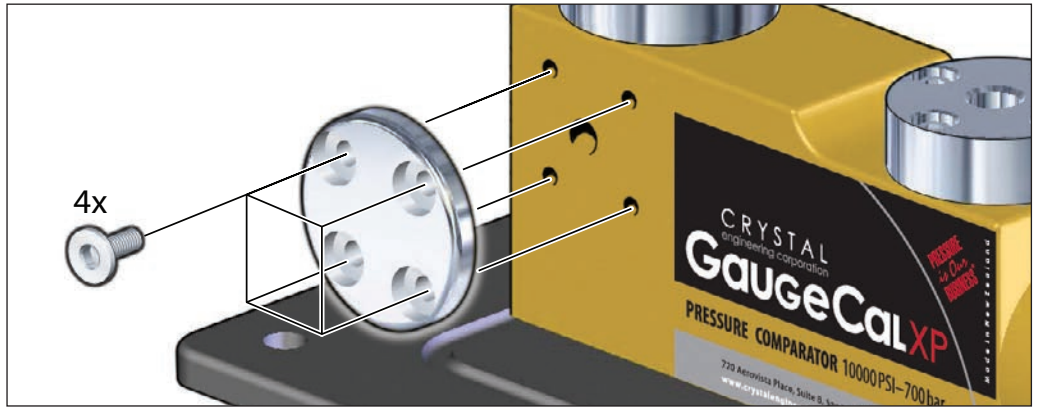
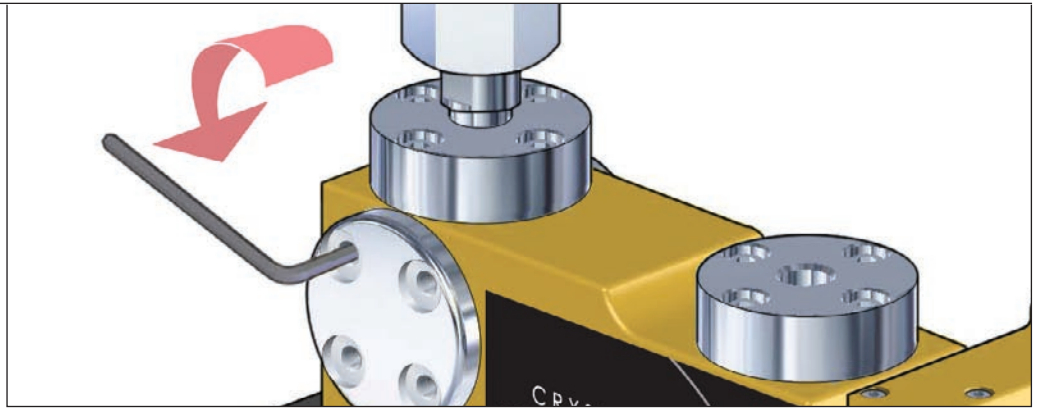
GaugeCal^{XP}™ FINE ADJUST KIT

Assembly Instructions

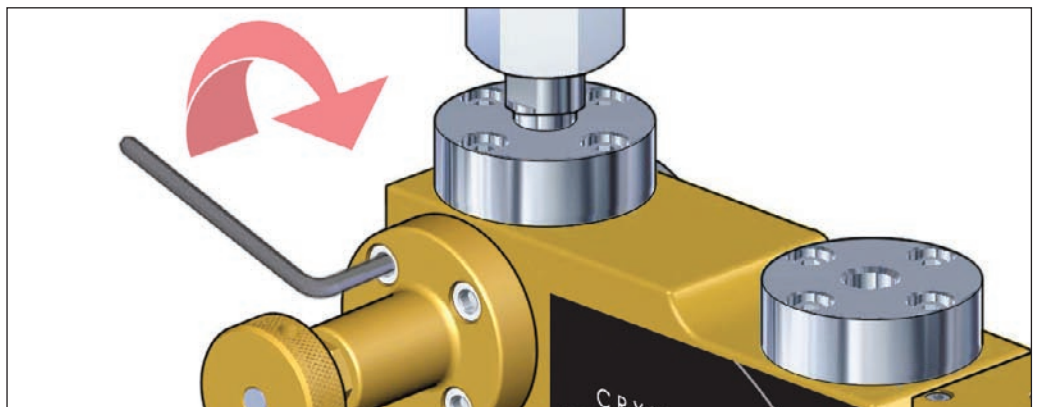
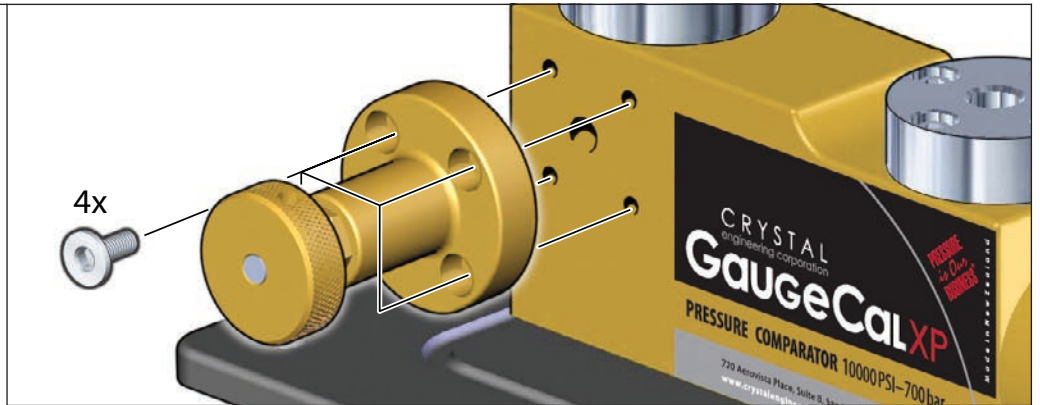


CRYSTAL
engineering corporation

1



2



CRYSTAL

engineering corporation

© 2006 Crystal Engineering Corporation
708 Fiero Lane, Suite 9, San Luis Obispo, California 93401-8701

