

# GaugeCal<sup>XP</sup>™ FINE ADJUST KIT

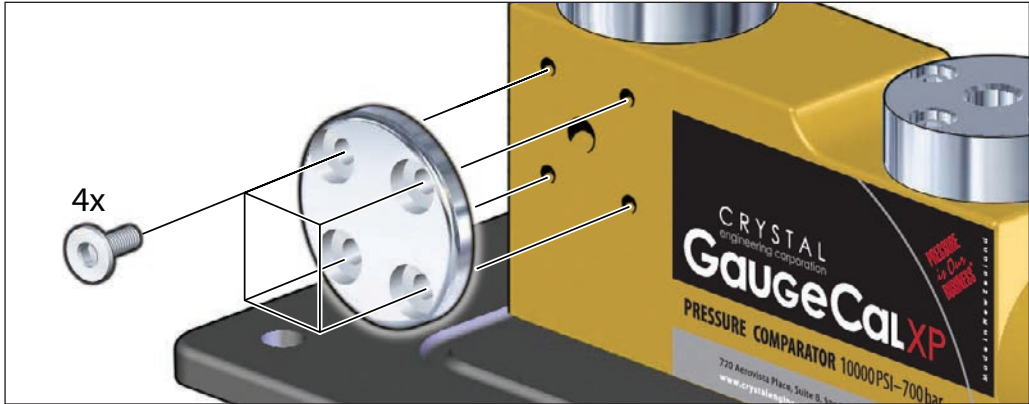
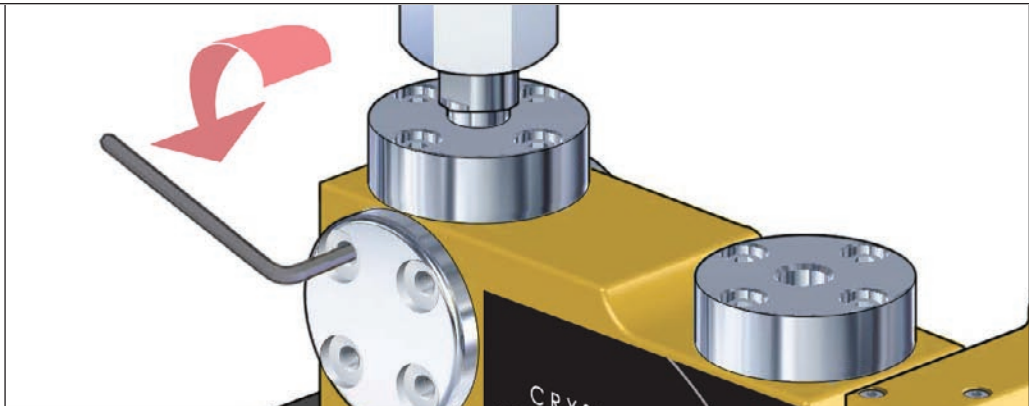
---

## Assembly Instructions

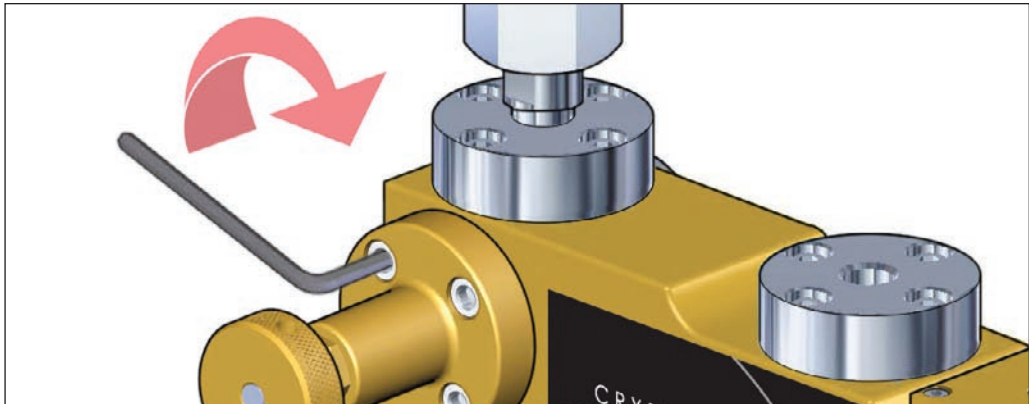
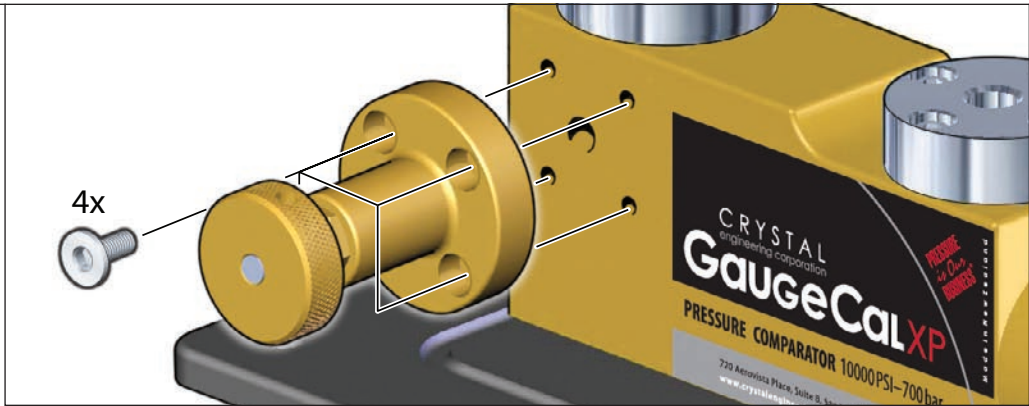


CRYSTAL  
engineering corporation

1



2



# CRYSTAL

engineering corporation

© 2006 Crystal Engineering Corporation  
708 Fiero Lane, Suite 9, San Luis Obispo, California 93401-8701

