

REVISIONS			
REV.	DESCRIPTION	DATE	APPROVED
0	RELEASED FOR PRODUCTION	6/15/05	ON FILE

SPECIFICATIONS

PRESSURE: SEE AVAILABLE PRESSURE RANGES CHART

ACCURACY:
 0% TO 20% OF FULL SCALE: ±0.02% OF FULL SCALE
 20% TO 100% OF FULL SCALE: ±0.1% OF READING

VACUUM: (ONLY APPLIES TO 300 PSI AND BELOW GAUGES)
 0 TO -14.5 PSIG: ±0.25% OF FULL SCALE (-14.5 PSI)

POWER: 3 AAA ALKALINE BATTERIES

PRESSURE CONNECTION: 1/8"-27 FEMALE NPT

ELECTRICAL INTERFACE: DB9F CONNECTOR, RS232

ENCLOSURE: 300 SERIES STAINLESS STEEL, ABS

WEIGHT: 2.7 lbs (1.25kg)

PRESSURE PORT MEDIA COMPATIBILITY: LIQUID AND GASES COMPATIBLE WITH PTFE PENETRATED, ANODIZED ALUMINUM SENSOR MANIFOLD; 316 SSSL SENSOR; PTFE TAPE

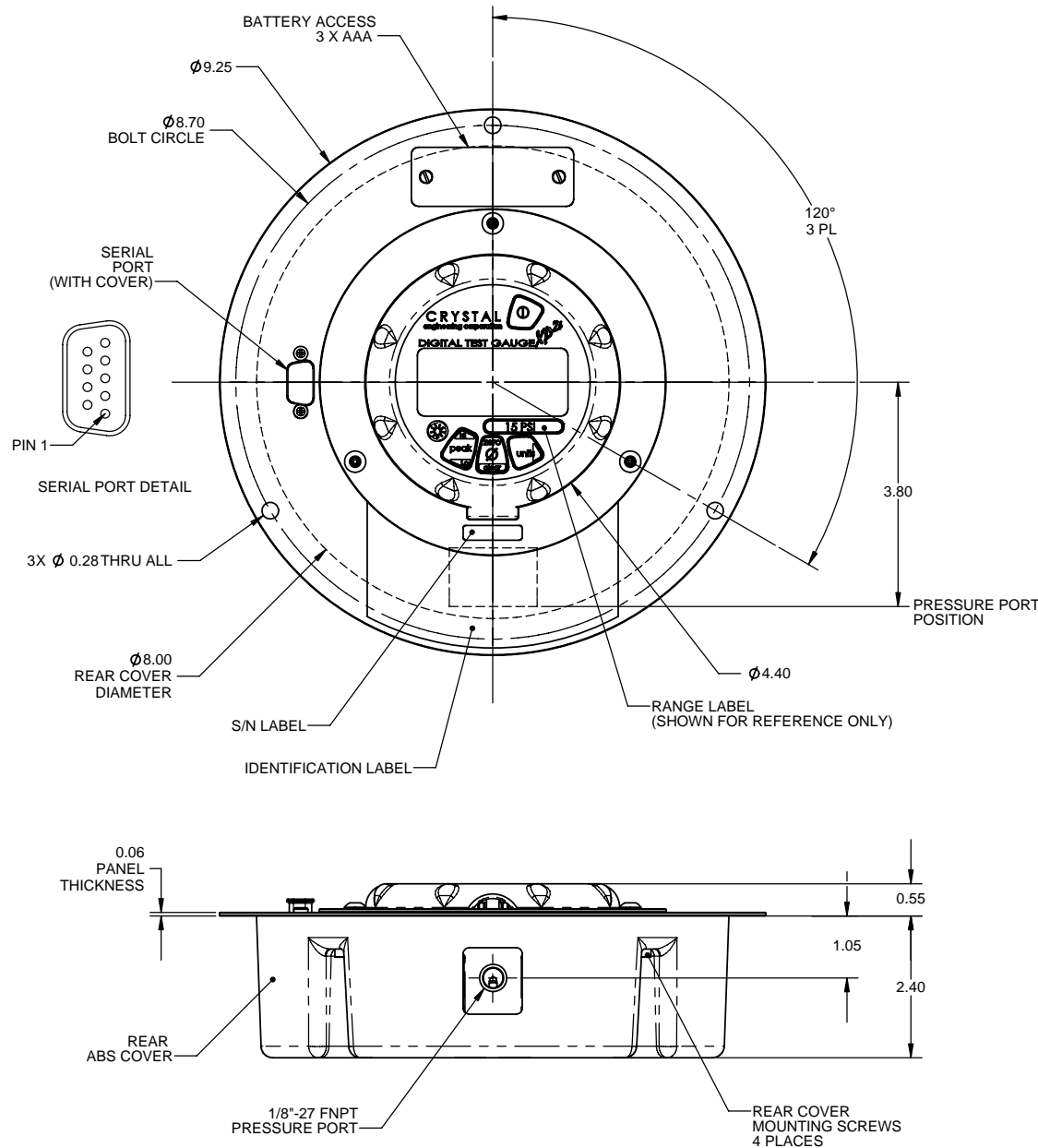
OPERATING AND COMPENSATED TEMPERATURE RANGE: -10°C TO +50°C (14°F TO 122°F).

STORAGE TEMPERATURE RANGE: -20°C TO +70°C (-4°F TO 158°F).

CERTIFICATIONS: NONE

SPECIFICATIONS SUBJECT TO CHANGE WITHOUT NOTICE.

AVAILABLE PRESSURE RANGES CHART			
UNIT OF MEASURE	PRESSURE RANGE	GAUGE P/N	ABSOLUTE P/N
PSI	15	WT15PSI-1000	-
	30	WT30PSI-1000	-
	100	WT100PSI-1000	-
	300	WT300PSI-1000	-
	500	WT500PSI-1000	-
	1000	WT1KPSI-1000	-
	2000	WT2KPSI-1000	WT2KPSIB-1000
	3000	WT3KPSI-1000	WT3KPSIB-1000
	5000	WT5KPSI-1000	WT5KPSIB-1000
	10000	WT10KPSI-1000	WT10KPSIB-1000
BAR	1	WT1BAR-1000	-
	2	WT2BAR-1000	-
	7	WT7BAR-1000	-
	20	WT20BAR-1000	-
	30	WT30BAR-1000	-
	70	WT70BAR-1000	-
	140	WT140BAR-1000	WT140BARB-1000
	200	WT200BAR-1000	WT200BARB-1000
	300	WT300BAR-1000	WT300BARB-1000
	700	WT700BAR-1000	WT700BARB-1000
KPA	100	WT100KPA-1000	-
	200	WT200KPA-1000	-
	700	WT700KPA-1000	-
	2000	WT2KKPA-1000	-
	3000	WT3KKPA-1000	-
	7000	WT7KKPA-1000	-
	14000	WT14KKPA-1000	WT14KKPAB-1000
	20000	WT20KKPA-1000	WT20KKPAB-1000
	30000	WT30KKPA-1000	WT30KKPAB-1000
	70000	WT70KKPA-1000	WT70KKPAB-1000



PROPRIETARY NOTICE
 THIS DOCUMENT AND ANY DATA DISCLOSED HEREIN IS THE SOLE PROPERTY OF CRYSTAL ENGINEERING CORPORATION AND MAY NOT BE REPRODUCED, USED OR DISCLOSED IN PART OR IN WHOLE, TO ANYONE WITHOUT THE WRITTEN CONSENT OF CRYSTAL ENGINEERING CORPORATION.

UNLESS OTHERWISE SPECIFIED DIMENSIONS ARE IN INCHES
 TOLERANCES ARE:
 FRACTIONS DECIMALS ANGLES
 .XXX ± .005
 .XXXX ± .001

CRYSTAL (805) 595-5477
 engineering corporation www.crystalengineering.net

WT-1000 SERIES GAUGE

APPROVALS	DATE
DRAWN M.J.Cain	6/15/2005
CHECKED D.Porter	6/15/2005
MFG. ENGR. M.J.Cain	6/15/2005
Q.A. M.Merrill	6/15/2005

SCALE: 1:1 SIZE **C** DRAWING NO. **3315** REV **0**

DO NOT SCALE DRAWING SHEET 1 OF 1