

REVISIONS			
REV.	DESCRIPTION	DATE	APPROVED
0	RELEASED FOR PRODUCTION	6/15/05	ON FILE

SPECIFICATIONS

PRESSURE: SEE AVAILABLE PRESSURE RANGES CHART

ACCURACY:
 0% TO 20% OF FULL SCALE: ±0.02% OF FULL SCALE
 20% TO 100% OF FULL SCALE: ±0.1% OF READING

VACUUM: (ONLY APPLIES TO 300 PSI AND BELOW GAUGES)
 0 TO -14.5 PSIG: ±0.25% OF FULL SCALE (-14.5 PSI)

POWER: 3 AAA ALKALINE BATTERIES

PRESSURE CONNECTION: 1/8"-27 FEMALE NPT

ELECTRICAL INTERFACE: DB9F CONNECTOR, RS232

ENCLOSURE: 300 SERIES STAINLESS STEEL, ABS

WEIGHT: 2.7 lbs (1.25kg)

PRESSURE PORT MEDIA COMPATIBILITY: LIQUID AND GASES COMPATIBLE WITH PTFE PENETRATED, ANODIZED ALUMINUM SENSOR MANIFOLD; 316 SSSL SENSOR; PTFE TAPE

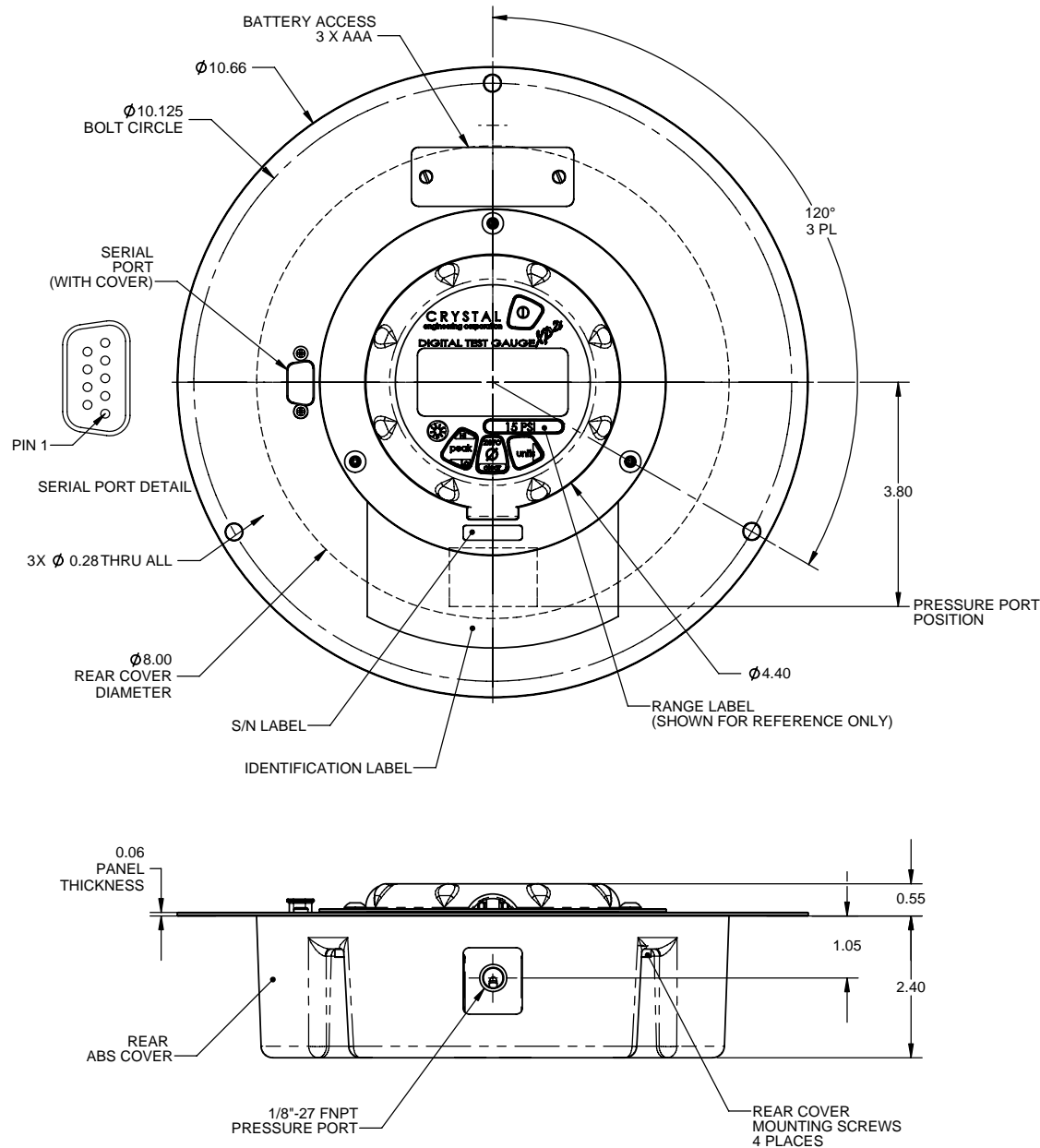
OPERATING AND COMPENSATED TEMPERATURE RANGE: -10°C TO +50°C (14°F TO 122°F).

STORAGE TEMPERATURE RANGE: -20°C TO +70°C (-4°F TO 158°F).

CERTIFICATIONS: NONE

SPECIFICATIONS SUBJECT TO CHANGE WITHOUT NOTICE.

AVAILABLE PRESSURE RANGES CHART			
UNIT OF MEASURE	PRESSURE RANGE	GAUGE P/N	ABSOLUTE P/N
PSI	15	WT15PSI-1500	-
	30	WT30PSI-1500	-
	100	WT100PSI-1500	-
	300	WT300PSI-1500	-
	500	WT500PSI-1500	-
	1000	WT1KPSI-1500	-
	2000	WT2KPSI-1500	WT2KPSIB-1500
	3000	WT3KPSI-1500	WT3KPSIB-1500
	5000	WT5KPSI-1500	WT5KPSIB-1500
	10000	WT10KPSI-1500	WT10KPSIB-1500
BAR	1	WT1BAR-1500	-
	2	WT2BAR-1500	-
	7	WT7BAR-1500	-
	20	WT20BAR-1500	-
	30	WT30BAR-1500	-
	70	WT70BAR-1500	-
	140	WT140BAR-1500	WT140BARB-1500
	200	WT200BAR-1500	WT200BARB-1500
KPA	300	WT300BAR-1500	WT300BARB-1500
	700	WT700BAR-1500	WT700BARB-1500
	100	WT100KPA-1500	-
	200	WT200KPA-1500	-
	700	WT700KPA-1500	-
	2000	WT2KKPA-1500	-
	3000	WT3KKPA-1500	-
	7000	WT7KKPA-1500	-
KPA	14000	WT14KKPA-1500	WT14KKPAB-1500
	20000	WT20KKPA-1500	WT20KKPAB-1500
	30000	WT30KKPA-1500	WT30KKPAB-1500
	70000	WT70KKPA-1500	WT70KKPAB-1500



PROPRIETARY NOTICE
 THIS DOCUMENT AND ANY DATA DISCLOSED HEREIN IS THE SOLE PROPERTY OF CRYSTAL ENGINEERING CORPORATION AND MAY NOT BE REPRODUCED, USED OR DISCLOSED IN PART OR IN WHOLE, TO ANYONE WITHOUT THE WRITTEN CONSENT OF CRYSTAL ENGINEERING CORPORATION.

UNLESS OTHERWISE SPECIFIED DIMENSIONS ARE IN INCHES
 TOLERANCES ARE:
 FRACTIONS DECIMALS ANGLES
 .XXX ± .005
 .XXXX ± .001

CRYSTAL (805) 595-5477
 engineering corporation www.crystalengineering.net

WT-1500 SERIES GAUGE

APPROVALS	DATE
DRAWN M.J.Cain	6/15/2005
CHECKED D.Porter	6/15/2005
MFG. ENGR. M.J.Cain	6/15/2005
Q.A. M.Merrill	6/15/2005

SCALE: 1:1 SIZE **C** DRAWING NO. **3316** REV **0**

DO NOT SCALE DRAWING SHEET 1 OF 1