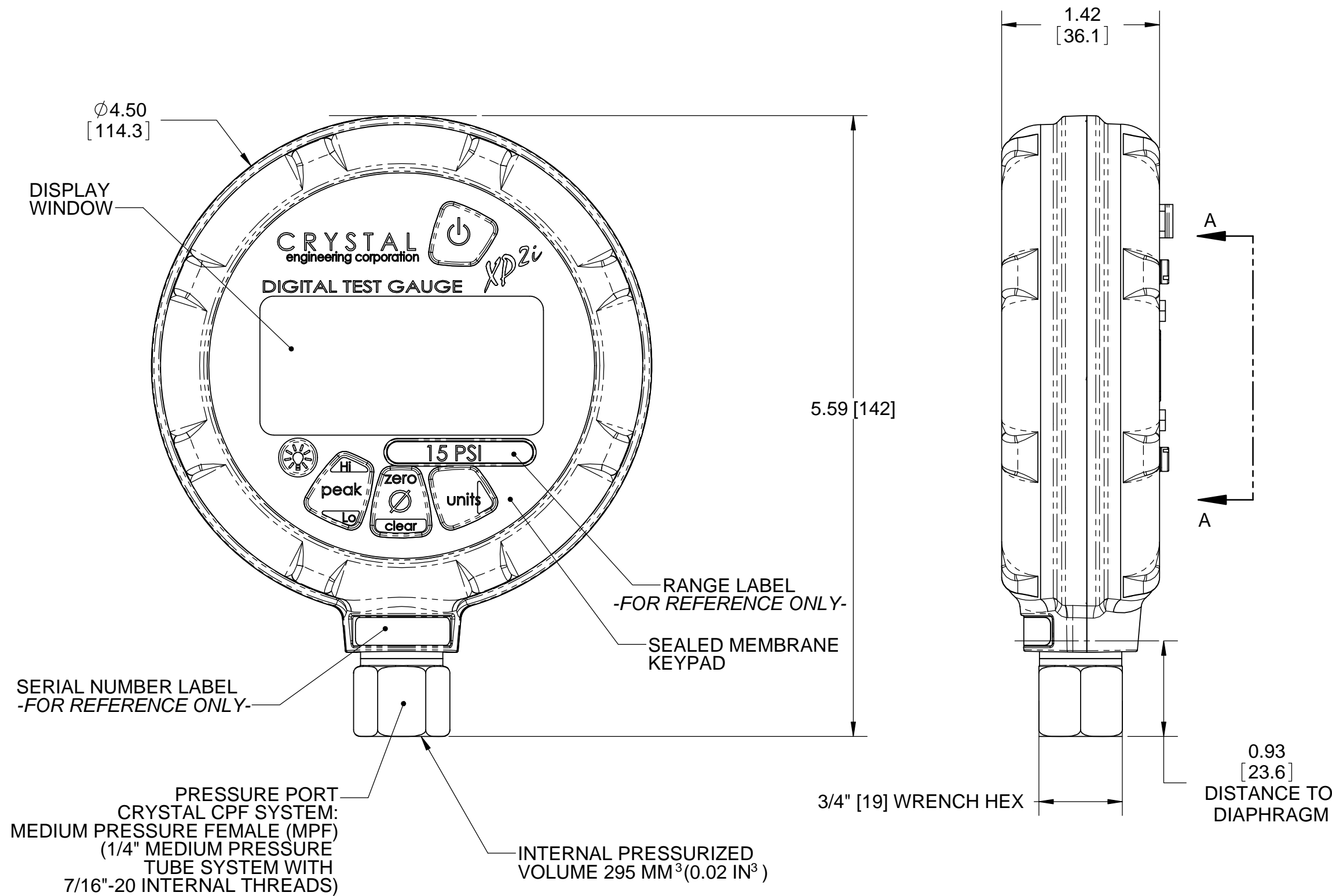


| REVISIONS | | | |
|-----------|---|----------|----------|
| REV. | DESCRIPTION | DATE | APPROVED |
| 0 | RELEASED FOR PRODUCTION | 10/23/06 | ON FILE |
| B | UPDATED FOR REVISED XP2I PER ECO 09-001 | 1/5/2009 | ON FILE |
| C | UPDATED FLANGE VIEWS PER ECO 09-038 | 6/9/2009 | ON FILE |
| D | UPDATED TO CPF VERSION | 4/5/11 | ON FILE |



SPECIFICATIONS

PRESSURE RANGE: SEE PRESSURES AND RESOLUTIONS CHART

PRESSURE ACCURACY: 20 - 100% OF FULL SCALE $\pm(0.1\%$ OF READING)
 0 - 20% OF FULL SCALE $\pm(0.02\%$ OF FULL SCALE)

VACUUM ACCURACY: (ONLY APPLIES TO 300 PSI AND LOWER PRESSURE GAUGES)
 0 to -99.9 kPa (-14.5 PSIG): $\pm 0.25\%$ OF FULL SCALE
 WHERE FULL SCALE: -99.9 kPa (-14.5 PSIG)

POWER: THREE AA (1.5V) AA; RAYOVAC MAXIMUM PLUS, ENERGIZER® E91, ENERGIZER® EN91, OR DURACELL MN1500. USE OF ANY OTHER BATTERY VOIDS INTRINSIC SAFETY RATINGS

PRESSURE CONNECTION: CRYSTAL CPF SYSTEM: MEDIUM PRESSURE FEMALE (MPF) (1/4" MEDIUM PRESSURE TUBE SYSTEM WITH 7/16"-20 INTERNAL THREADS)

ENCLOSURE: NICKEL-PLATED ALUMINUM ALLOY CASE, AUTOFLEX-EBG10 MEMBRANE SWITCH PANEL.

ENCLOSURE RATING: DESIGNED TO MEET NEMA4/IP67

WEIGHT: 19.8 oz (562 g)

PRESSURE PORT MEDIA COMPATIBILITY: LIQUID AND GASES COMPATIBLE WITH 316L SS SENSOR.

OPERATING AND COMPENSATED TEMPERATURE RANGE: -10°C TO +50°C (14°F TO 122°F).

STORAGE TEMPERATURE RANGE: -40°C TO +75°C (-40°F TO 167°F).

CERTIFICATIONS:
INTRINSICALLY SAFE:
CSA: CLASS I, DIVISION 1, GROUPS A, B, C, AND D - T4 (CANADA AND U.S.)
ATEX: Ex II 1 G Ex ia IIC T4 KEMA 04ATEX 1053 X
IECEX SCHEME: IECEX CSA 05.0001X Ex ia IIC T4

OTHER:
C-TICK: COMPLIES WITH AUSTRALIAN C-TICK
DNV: COMPLIES WITH DNV'S RULES FOR CLASSIFICATION OF SHIPS, HSLC AND OFFSHORE STANDARDS

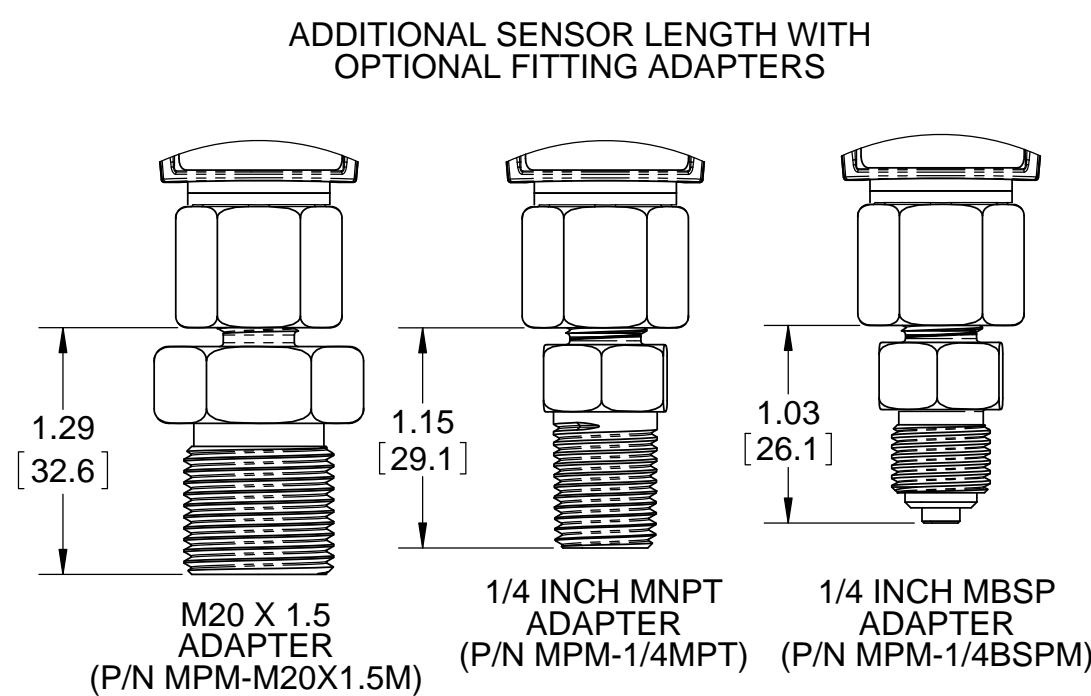
DIMENSIONS ARE IN INCHES [MILLIMETERS]
 SPECIFICATIONS SUBJECT TO CHANGE WITHOUT NOTICE.
 PROTECTIVE BOOT OPTION SHOWN ON SHEET 2
 MOUNTING FLANGE AND REAR PORT OPTIONS SHOWN ON SHEET 2

PRESSURES AND RESOLUTIONS

| AVAILABLE PRESSURES | | | | AVAILABLE UNITS AND DISPLAY RESOLUTIONS | | | | | | | | | |
|---------------------|-----|---------|--------------------------|---|--------|-------|------|------|-------|------|--------|---------|--|
| PSI | bar | kPa (1) | ALLOWED OVERPRESSURE PSI | PSI | kg/cm2 | "Hg | "H2O | mmHg | mmH2O | kPa | bar | mbar | |
| 15 | 1 | 100 | 100 | 0.001 | 0.0001 | 0.001 | 0.01 | 0.01 | 1 | 0.01 | 0.0001 | 0.1 | |
| 30 | 2 | 200 | 100 | 0.001 | 0.0001 | 0.001 | 0.01 | 0.1 | 1 | 0.01 | 0.0001 | 0.1 | |
| 100 | 7 | 700 | 200 | 0.01 | 0.0001 | 0.01 | 0.1 | 0.1 | 1 | 0.01 | 0.0001 | 0.1 | |
| 300 | 20 | 2000 | 600 | 0.01 | 0.001 | 0.01 | 0.1 | 1 | 1 | 0.1 | 0.001 | 1 | |
| 500 | 30 | 3000 | 1000 | 0.01 | 0.001 | 0.1 | 1 | 1 | 1 | 0.1 | 0.001 | 1 | |
| 1000 | 70 | 7000 | 2000 | 0.1 | 0.001 | 0.1 | 1 | 1 | 1 | 0.1 | 0.001 | MPa (2) | |
| 2000 | 140 | 14000 | 4500 | 0.1 | 0.01 | 0.1 | 1 | 1 | 1 | 0.01 | 0.001 | 1 | |
| 3000 | 200 | 20000 | 4500 | 0.1 | 0.01 | 0.1 | 1 | 1 | 1 | 0.01 | 0.001 | 1 | |
| 5000 | 300 | 30000 | 7500 | 0.1 | 0.01 | 1 | 1 | 1 | 1 | 0.01 | 0.001 | 1 | |
| 10000 | 700 | 70000 | 15000 | 1 | 0.01 | 1 | 1 | 1 | 1 | 0.01 | 0.001 | 1 | |

VACUUM AND RESOLUTIONS

| APPLICABLE PRESSURES | | | AVAILABLE UNITS AND DISPLAY RESOLUTIONS | | | | | | | | | |
|----------------------|-----|------|---|--------|-------|------|------|-------|------|--------|------|--|
| PSI | bar | kPa | PSI | kg/cm2 | "Hg | "H2O | mmHg | mmH2O | kPa | bar | mbar | |
| 15 | 1 | 100 | 0.001 | 0.0001 | 0.001 | 0.01 | 0.01 | 1 | 0.01 | 0.0001 | 0.1 | |
| 30 | 2 | 200 | 0.001 | 0.0001 | 0.001 | 0.01 | 0.1 | 1 | 0.01 | 0.0001 | 0.1 | |
| 100 | 7 | 1000 | 0.01 | 0.0001 | 0.01 | 0.1 | 0.1 | 1 | 0.01 | 0.0001 | 0.1 | |
| 300 | 20 | 2000 | 0.01 | 0.001 | 0.01 | 0.1 | 1 | 1 | 0.1 | 0.001 | 1 | |



CONNECTOR PINOUT

| PIN | FUNCTION |
|-----|----------|
| 1 | NC |
| 2 | TX |
| 3 | RX |
| 4 | DTR |
| 5 | COM |
| 6 | NC |
| 7 | RTS |
| 8 | NC |
| 9 | NC |

(1) kPa MODELS DISPLAY PRESSURE IN kPa, MPa, bar, mbar if applicable.
 (2) MPa IS AVAILABLE ON -DD MODELS ONLY.

PROPRIETARY NOTICE
 THIS DOCUMENT AND ANY DATA DISCLOSED HEREIN IS THE SOLE PROPERTY OF CRYSTAL ENGINEERING CORPORATION AND MAY NOT BE REPRODUCED, USED OR DISCLOSED IN PART OR IN WHOLE, TO ANYONE WITHOUT THE WRITTEN CONSENT OF CRYSTAL ENGINEERING CORPORATION.

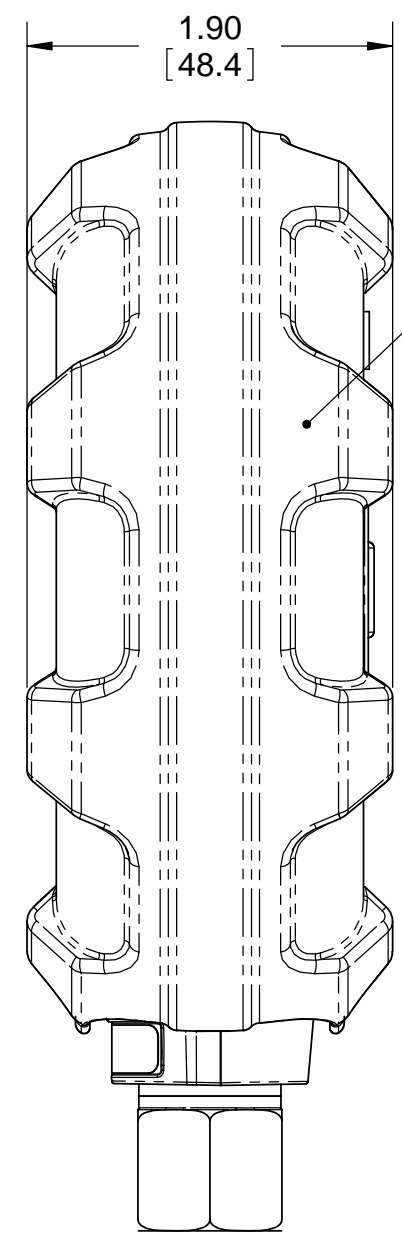
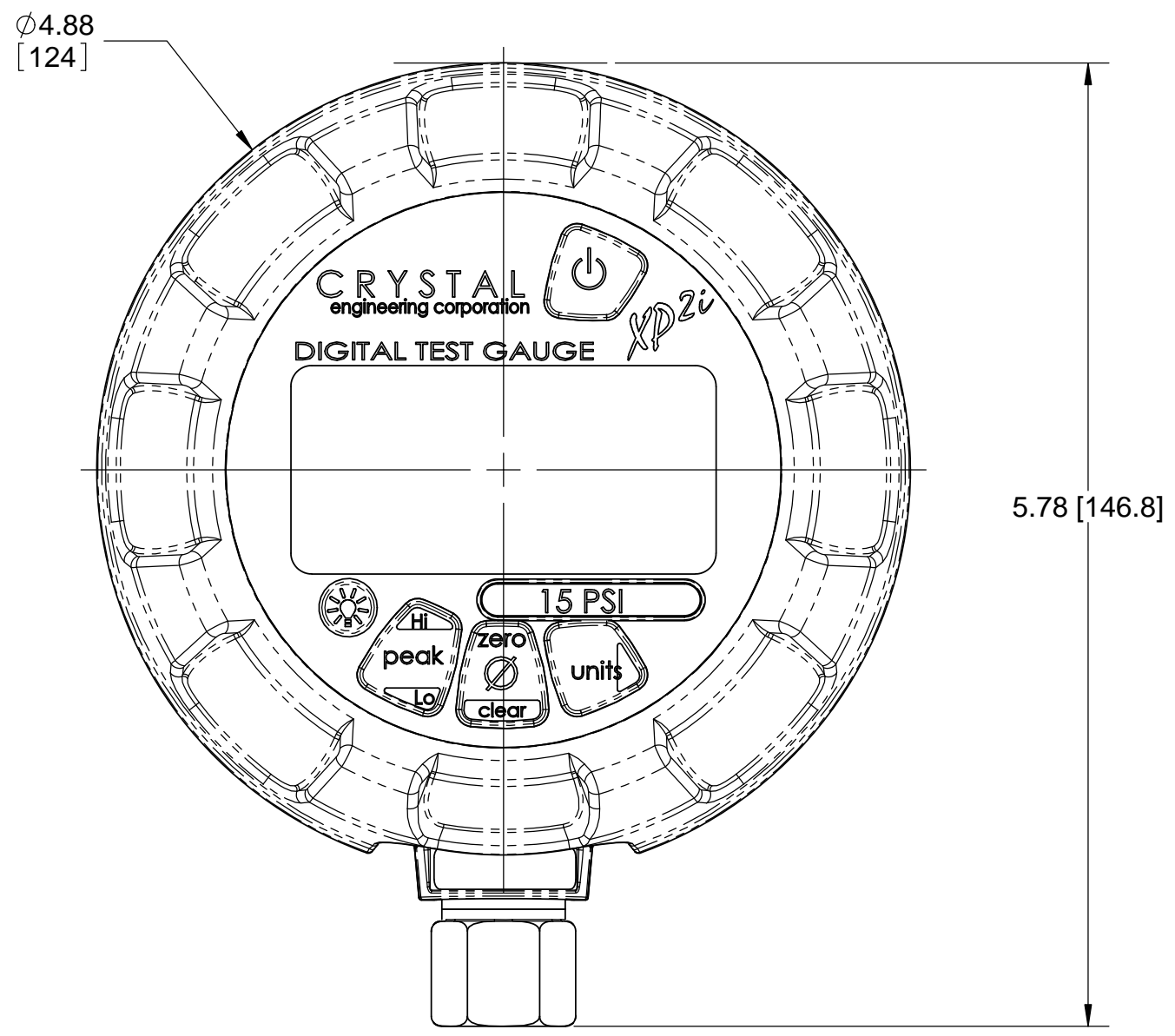
UNLESS OTHERWISE SPECIFIED DIMENSIONS ARE IN INCHES
 TOLERANCES ARE:
 FRACTIONS DECIMALS ANGLES
 .XXX ± .005
 .XXXX ± .001

CRYSTAL (805) 595-5477
 engineering corporation www.crystalengineering.net

XP2i SERIES PRESSURE GAUGE

| | | | | | |
|---------------------|----------|----------------------|------------------|----------------------------|-----------------|
| APPROVALS | DATE | SCALE: 1:1 | SIZE C | DRAWING NO. 3495 | REV D |
| DRAWN M.J.Cain | 10/11/06 | | | | |
| CHECKED D. Porter | 10/20/06 | | | | |
| MFG. ENGR. M.J.Cain | 10/20/06 | | | | |
| Q.A. M. Merrill | 10/23/06 | DO NOT SCALE DRAWING | | SHEET 1 OF 2 | |

| REVISIONS | | | |
|-----------|-------------|------|----------|
| REV. | DESCRIPTION | DATE | APPROVED |
| - | See Sheet1 | - | - |

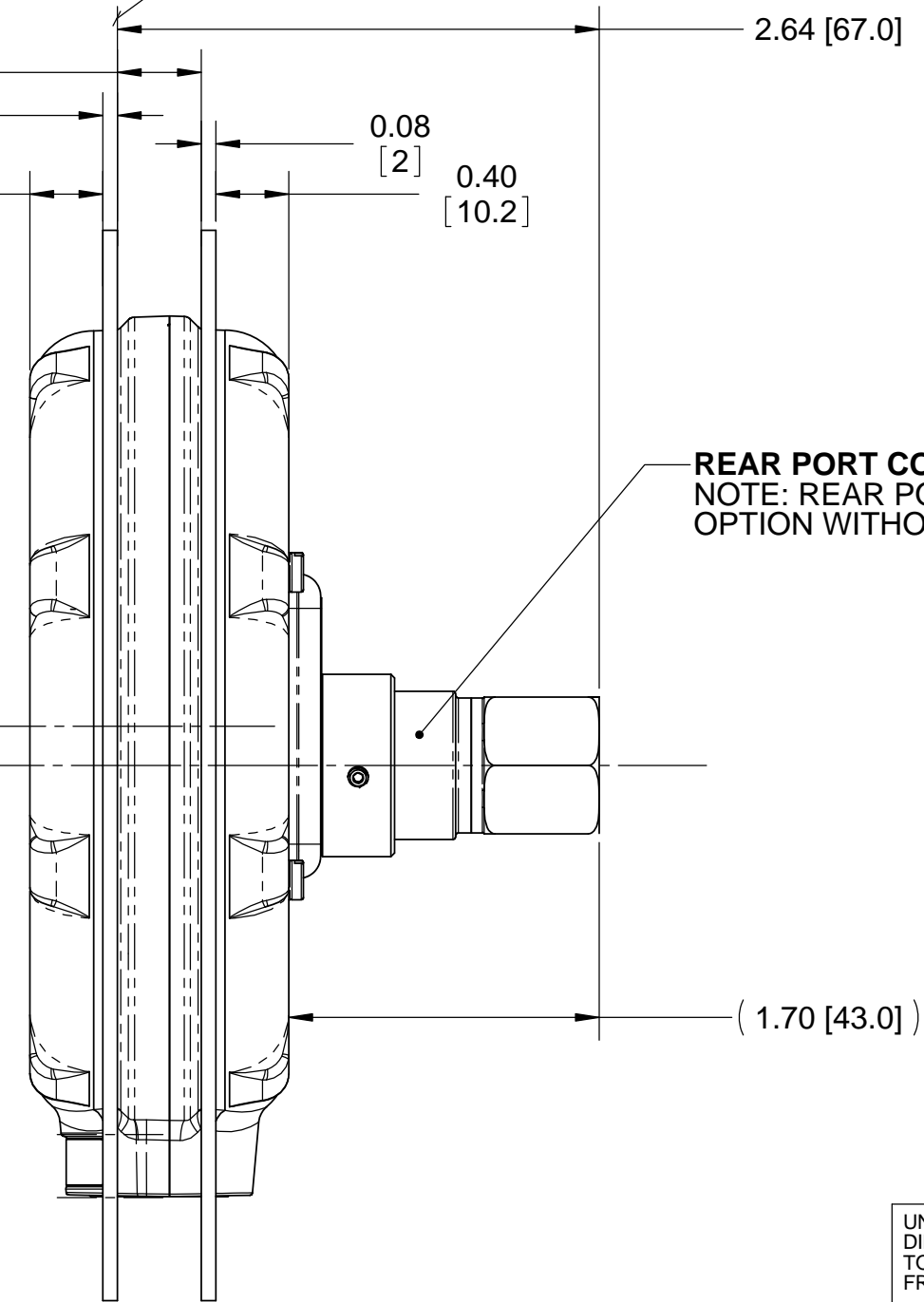
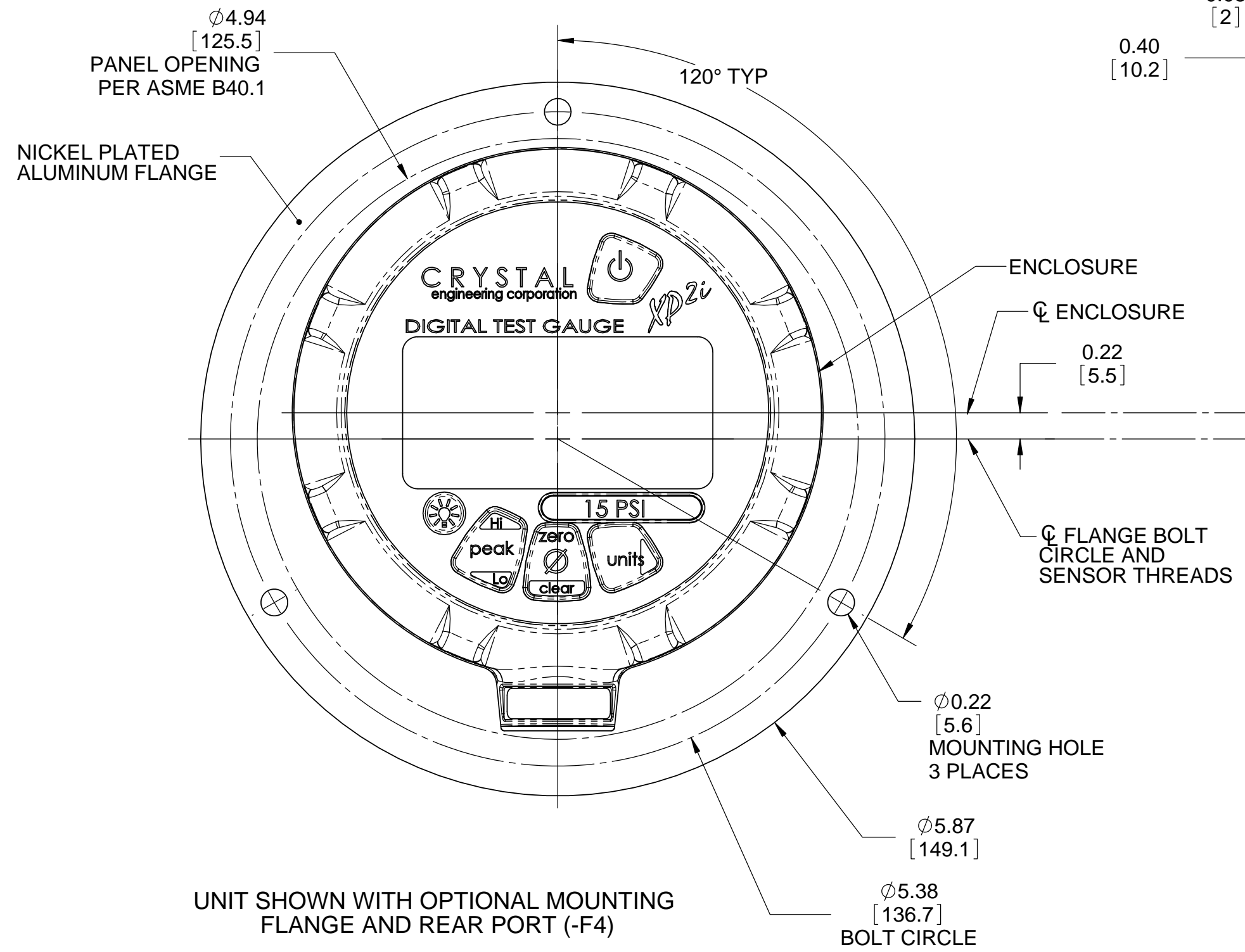


PROTECTIVE BOOT
 COLOR: BLUE
 MATERIAL: POLYPROPYLENE BLEND
 HARDNESS: 55 SHORE A

NOTES:
 REFER TO SHEET 1

UNIT SHOWN WITH OPTIONAL PROTECTIVE BOOT

SEE "XP2i FLANGE MOUNTING KIT ASSEMBLY INSTRUCTIONS" (CRYSTAL ENGINEERING P/N 3962) FOR FLANGE MOUNT PANEL CUT-OUT DIMENSIONS, TEMPLATE AND ASSOCIATED INFORMATION.



REAR PORT CONFIGURATION
 NOTE: REAR PORT IS AVAILABLE AS AN OPTION WITHOUT FLANGE (-RP)

UNIT SHOWN WITH OPTIONAL MOUNTING FLANGE AND REAR PORT (-F4)

PROPRIETARY NOTICE
 THIS DOCUMENT AND ANY DATA DISCLOSED HEREIN IS THE SOLE PROPERTY OF CRYSTAL ENGINEERING CORPORATION AND MAY NOT BE REPRODUCED, USED OR DISCLOSED IN PART OR IN WHOLE, TO ANYONE WITHOUT THE WRITTEN CONSENT OF CRYSTAL ENGINEERING CORPORATION.

| | | | |
|--|--|---|-------------------------|
| UNLESS OTHERWISE SPECIFIED DIMENSIONS ARE IN INCHES TOLERANCES ARE: FRACTIONS DECIMALS ANGLES .XXX ± .005 .XXXX ± .001 | | CRYSTAL (805) 595-5477 engineering corporation www.crystalengineering.net | |
| APPROVALS | | DATE | |
| DRAWN M.J.Cain | | 10/11/06 | |
| CHECKED D. Porter | | 10/20/06 | |
| MFG. ENGR. M.J.Cain | | 10/20/06 | |
| Q.A. M. Merrill | | 10/23/06 | |
| SCALE: 1:1 | | SIZE C | DRAWING NO. 3495 |
| DO NOT SCALE DRAWING | | REV D SHEET 2 OF 2 | |