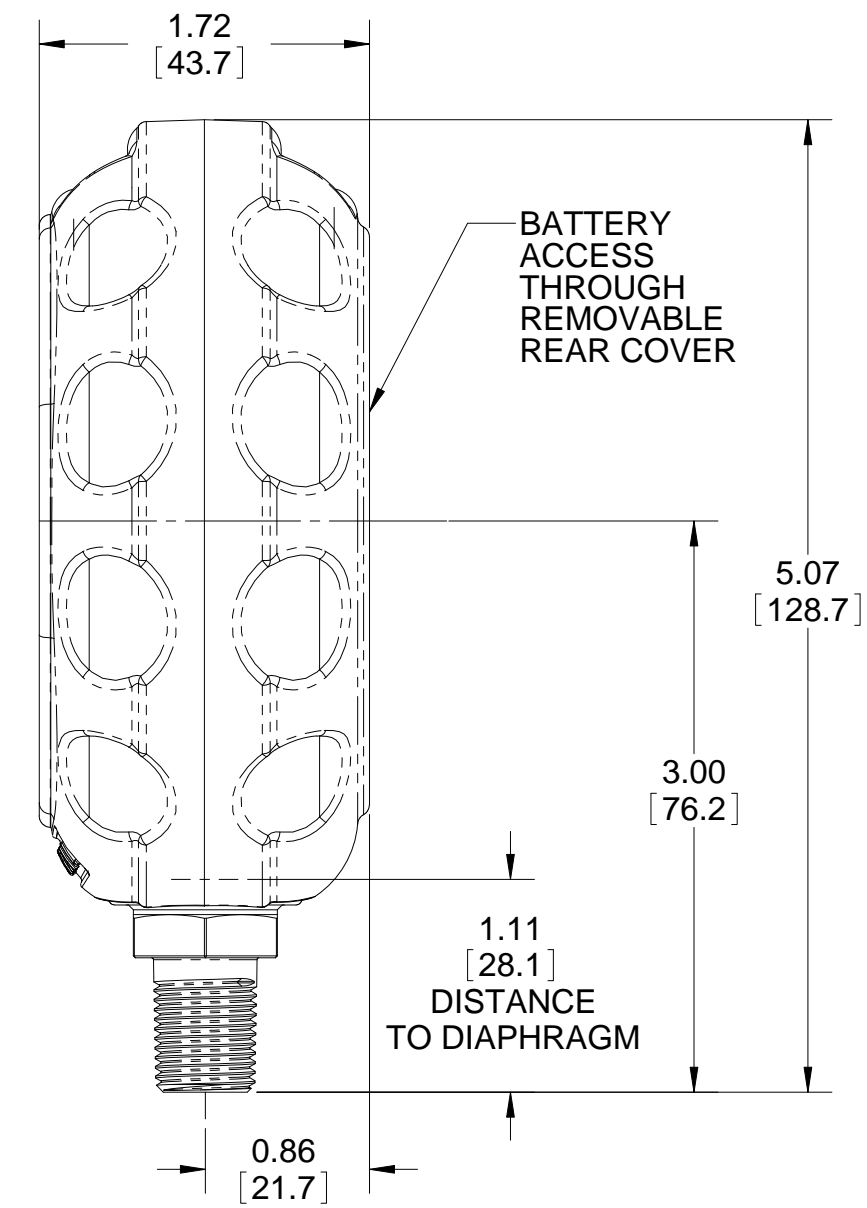
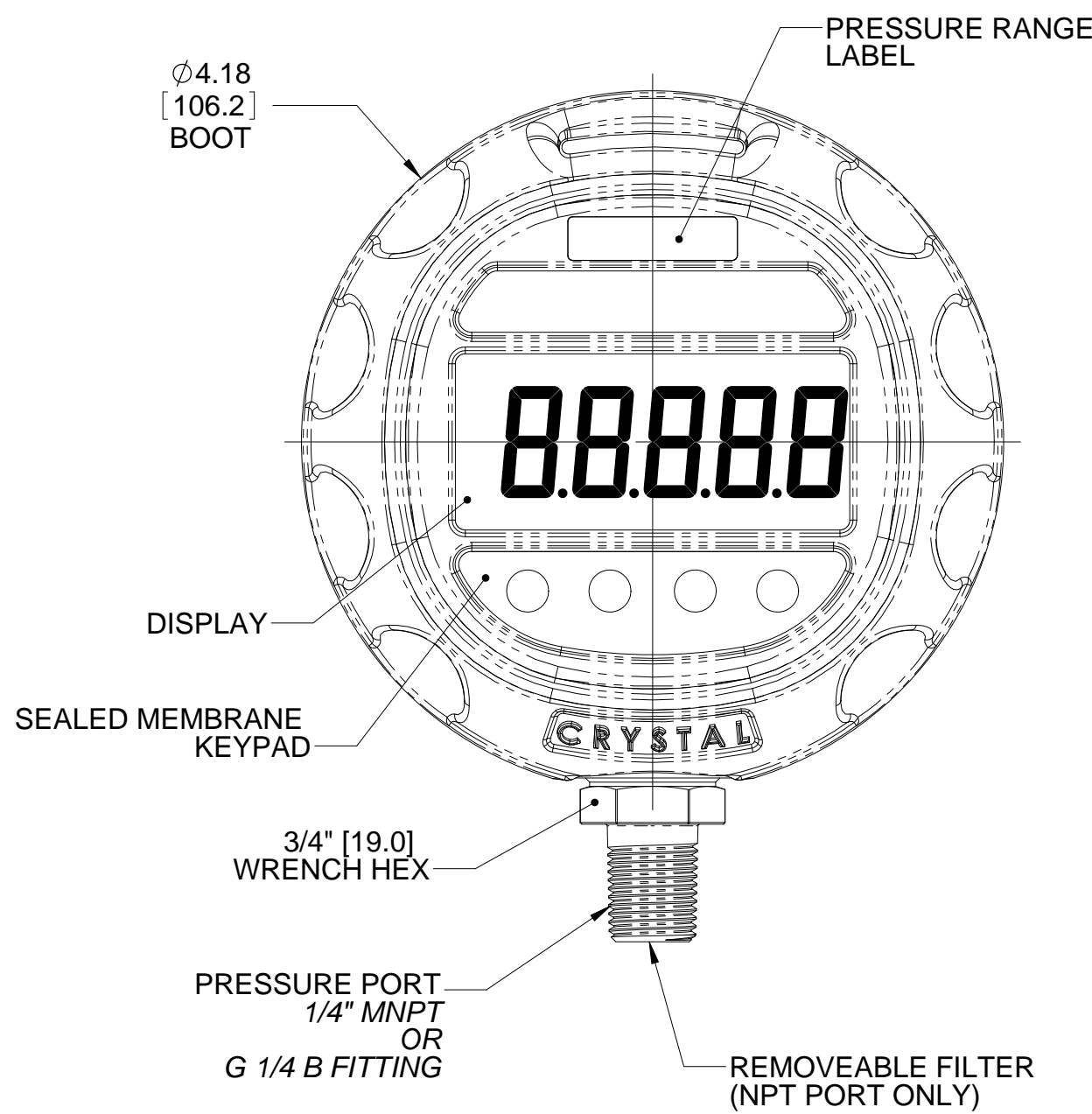


REVISIONS			
REV.	DESCRIPTION	DATE	APPROVED
0	RELEASED FOR PRODUCTION	11/27/07	ON FILE



SPECIFICATIONS:

PRESSURE RANGE: SEE PRESSURES AND RESOLUTIONS CHART

PRESSURE ACCURACY: 20 - 100% OF FULL SCALE \pm (0.2% OF READING)
0 - 20% OF FULL SCALE \pm (0.04% OF FULL SCALE)

VACUUM ACCURACY: (ONLY APPLIES TO 300 PSI AND LOWER PRESSURE GAUGES)
0 to -99.9 kPa (-14.5 PSIG): \pm 0.25% OF FULL SCALE
WHERE FULL SCALE: -99.9 kPa (-14.5 PSIG)

POWER: TWO AA (1.5V; LR6) BATTERIES .

DISPLAY:
NUMERAL HEIGHT: 0.66 IN (16.8mm)
RATE: 4 READINGS/SECOND

PRESSURE CONNECTION: 1/4"-8 MALE NPT OR G 1/4 B PER ISO-228-1 (BSPP)

ENCLOSURE: POLYESTER/POLYCARBONATE BLEND.

ENCLOSURE RATING: IP65

PROTECTIVE BOOT:
COLOR: BLUE
MATERIAL: POLYPROPYLENE BLEND (PROPRIETARY)

WEIGHT: 11.5 oz (325 g)

PRESSURE PORT MEDIA COMPATABILITY: LIQUID AND GASES COMPATIBLE WITH 316L SS SENSOR.

OPERATING AND COMPENSATED TEMPERATURE RANGE: -10°C TO +50°C (14°F TO 122°F).

STORAGE TEMPERATURE RANGE: -40°C TO +75°C (-40°F TO 167°F).

CERTIFICATIONS:
OTHER: CE

DIMENSIONS ARE IN INCHES [MILLIMETERS]

SPECIFICATIONS SUBJECT TO CHANGE WITHOUT NOTICE.

PRESSURES AND RESOLUTIONS

AVAILABLE PRESSURES					AVAILABLE UNITS AND DISPLAY RESOLUTIONS									
PSI	Bar	kPa	kg/cm ²	ALLOWED OVERPRESSURE PSI	PSI	kg/cm ²	"Hg	"H ₂ O	mmHg	mmH ₂ O	kPa	MPa	Bar	mBar
30	2	200	2	100	0.001	0.0001	0.01	0.1	0.1	1	0.01		0.0001	0.1
100				200	0.01	0.001	0.01	0.1	1	1	0.1	0.0001	0.001	1
	10	1000	10	200	0.01	0.001	0.01		1		0.1	0.0001	0.001	1
300	20	2000	20	600	0.01	0.001	0.1		1		0.1	0.0001	0.001	1
1000				2000	0.1	0.01	0.1				1	0.001	0.01	
	100	10000	100	2000	0.1	0.01	0.1				1	0.001	0.01	
3000	200	20000	200	4500	0.1	0.01	1				1	0.001	0.01	
10000	700	70000	700	15000	1	0.1	1				1	0.01	0.1	

VACUUM AND RESOLUTIONS

APPLICABLE PRESSURES				AVAILABLE UNITS AND DISPLAY RESOLUTIONS									
PSI	Bar	kPa	kg/cm ²	PSI	kg/cm ²	"Hg	"H ₂ O	mmHg	mmH ₂ O	kPa	MPa	Bar	mBar
30	2	200	2	0.001	0.0001	0.01	0.1	0.1	1	0.01		0.0001	0.1
100				0.01	0.001	0.01	0.1	1		0.1	0.0001	0.001	1
	10	1000	10	0.01	0.001	0.01		1		0.1	0.0001	0.001	1
300	20	2000	20	0.01	0.001	0.1		1		0.1	0.0001	0.001	1

PROPRIETARY NOTICE
THIS DOCUMENT AND ANY DATA DISCLOSED HEREIN IS THE SOLE PROPERTY OF CRYSTAL ENGINEERING CORPORATION AND MAY NOT BE REPRODUCED, USED OR DISCLOSED IN PART OR IN WHOLE, TO ANYONE WITHOUT THE WRITTEN CONSENT OF CRYSTAL ENGINEERING CORPORATION.

UNLESS OTHERWISE SPECIFIED DIMENSIONS ARE IN INCHES
TOLERANCES ARE:
FRACTIONS DECIMALS ANGLES
.XXX ± .005
.XXXX ± .001

CRYSTAL (805) 595-5477
engineering corporation www.crystalengineering.net

M1 SERIES PRESSURE GAUGE

APPROVALS	DATE
DRAWN M.J.Cain	11/21/07
CHECKED D.Porter	11/27/07
MFG. ENGR. M.J.Cain	11/27/07
Q.A. M.Merrill	11/27/07

SCALE: 1:1 SIZE **C** DRAWING NO. **3666** REV **0**

DO NOT SCALE DRAWING SHEET 1 OF 1